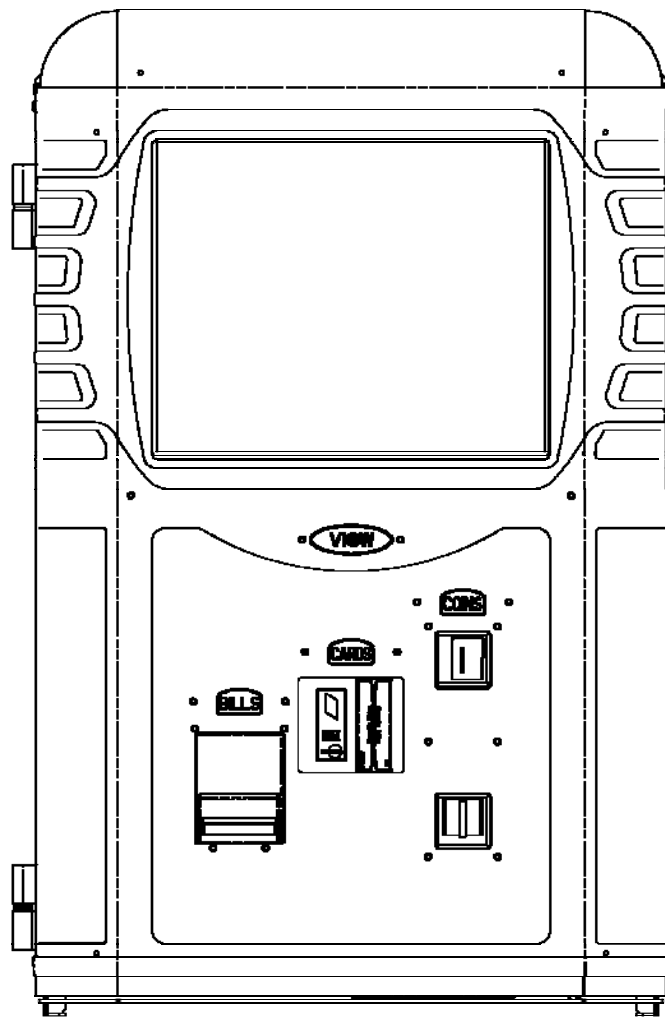


# VIEW™

INTERACTIVE • ENTERTAINMENT

## Installation Instructions

### Vision 2 Credit Card Reader Kit #26677523



# Introduction and Component List

## Introduction:

This kit contains the parts and instructions to install a Magnetic Credit Card Reader.

## Tools Required

1/4" and 11/32" Nut Driver

## Parts Included with this Kit

Item	Part Number	Description	Quantity
1	22185303	Card Reader	1
2	28277901	#M3 x 6 Screw (Not Shown)	2
3	22207602	Credit Card Reader Label	1
4	34094701	Credit Card Emblem	1
5	70093102	Cable Clamp 3/16"	2
6	22324901	Mounting Plate	1
7	70800103	Cable Tie 7 1/2"	3
8	87843000	#8 Nut (Not Shown)	4

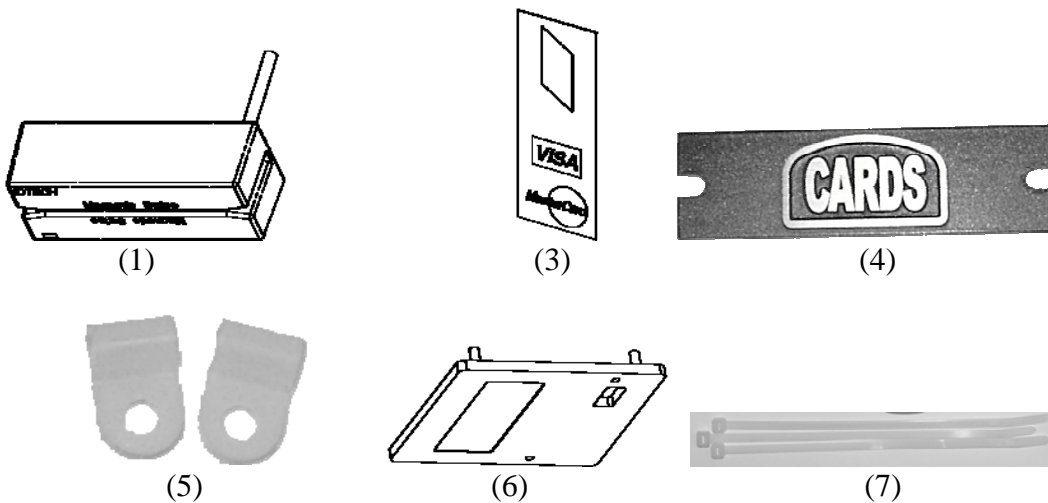
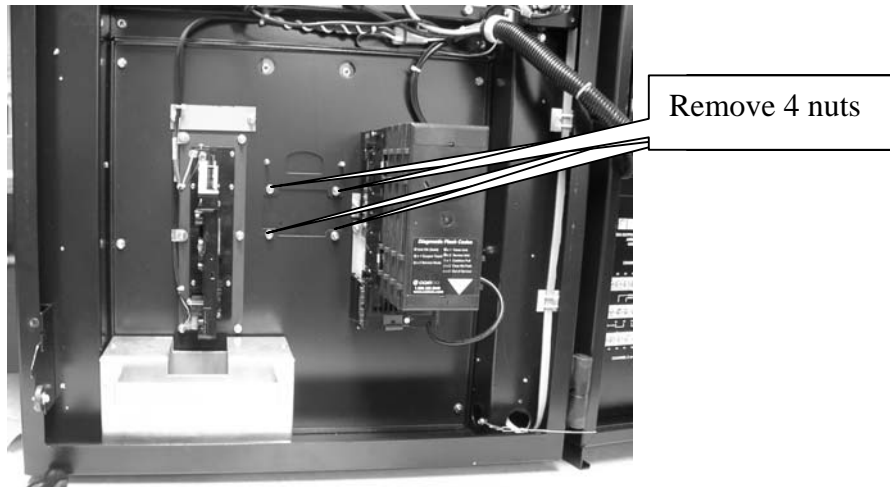


Figure 1

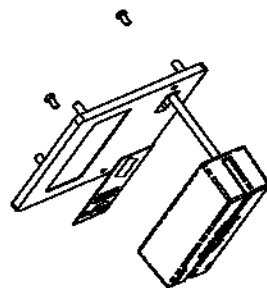
# Step-by-Step Instructions:

1. Power down the jukebox and unplug the power cord from the wall outlet.
2. Remove the card reader blockout from the Vision 2 door by removing the four #8-32 nuts shown in *Figure 2*.

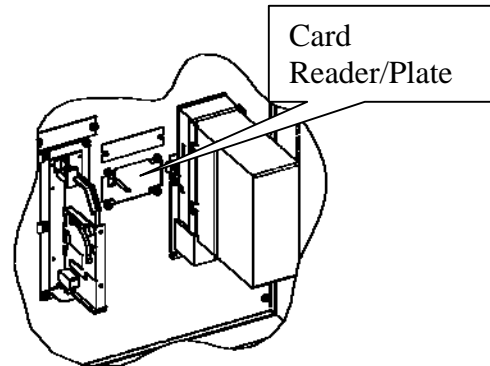


**Figure 2**

3. Attach Card Reader to Plate using two #M3 screws. Affix label to plate. See *Figure 3A*. Install the Credit Card Reader (Item 1), in the orientation shown in *Figure 3B*. Attach the Credit Card Reader/Plate to the door using the four #8 Nuts previously removed in Step 2. Remove the Bill Acceptor bill box for easier access to the Card Reader.



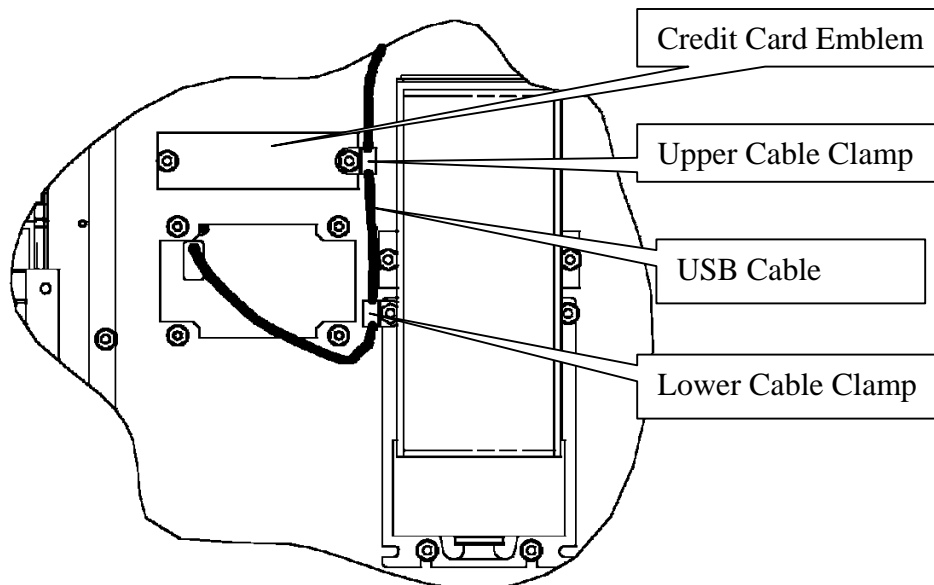
**Figure 3A**



**Figure 3B**

## Step-by-Step Instructions:

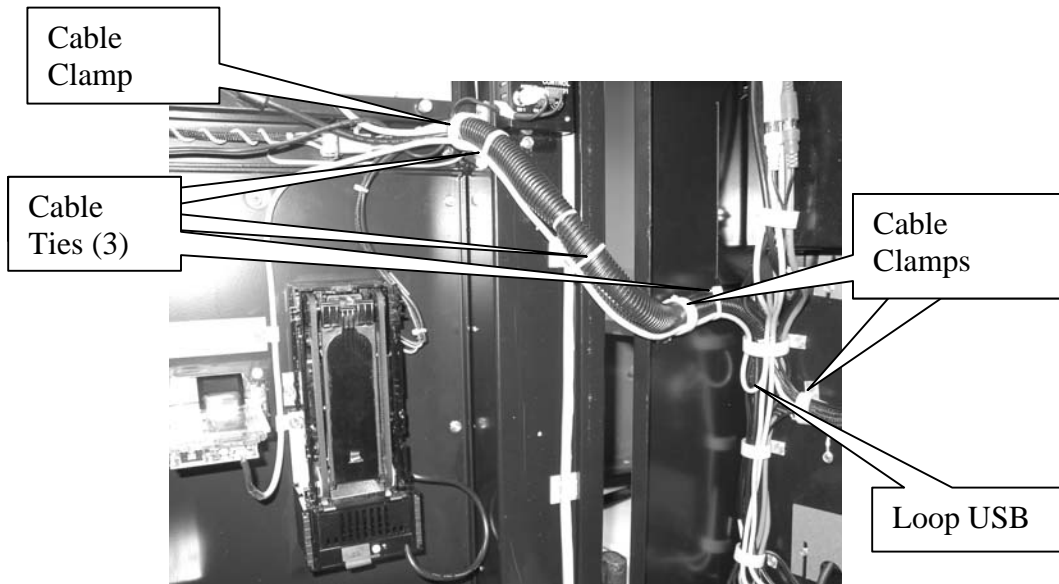
4. Using one #8-32 nut (Item 8), install the Credit Card Emblem (Item 4) onto the door placing the nut on the left side stud. See *Figure 4*.
5. Slide the two 3/16" cable clamps (Item 5) onto the USB Cable. Route the USB Cable upward and attach the lower cable clamp under the upper left mounting nut on the Bill Acceptor and attach the upper clamp to the right side stud on the Credit Card Emblem using one of the #8-32 nuts. Route the USB Cable as shown to prevent interference with the Bill Box removal and installation.



**Figure 4**

## Step-by-Step Instructions:

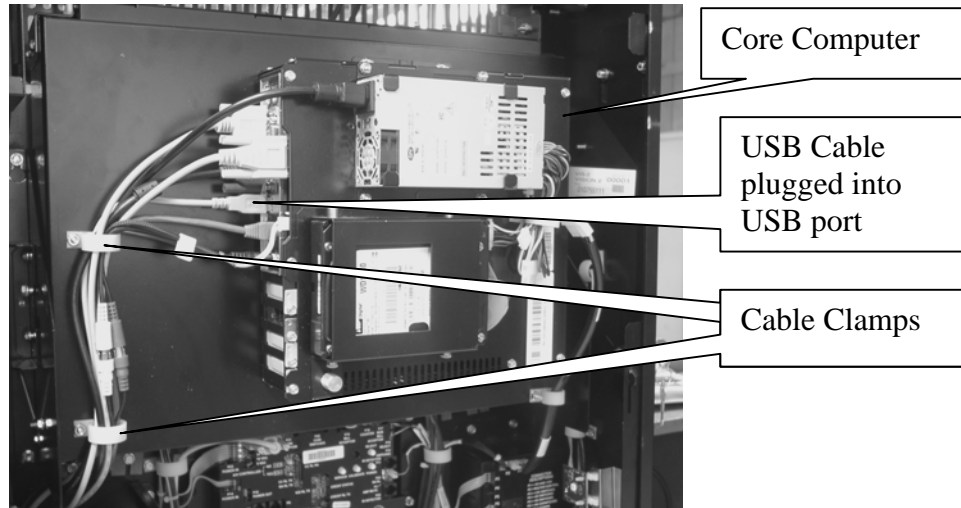
6. Continue routing the USB Cable through the factory installed cable clamps and alongside the tubing as shown in *Figure 5*. Use the 3 cable ties (Item 7) to secure the USB Cable to the tubing as shown. Continue routing the USB Cable into the cabinet and up toward the Core Computer Assembly.



**Figure 5**

## Step-by-Step Instructions:

- Secure the USB cable in the two cable clamps on the Amplifier Assembly, and plug the USB Cable into any one of the four USB Ports on the Core Computer as shown in *Figure 6*.



**Figure 6**

# Step-by-Step Instructions:

## 8. POWER UP AND OPERATIONAL CHECK

Note: The jukebox must have software version V2.3.0 or higher and must have a Broadband connection to the server for credit card acceptance to work.

Power on the jukebox and wait for the User Interface (Selection Screen) to come up. Swipe a valid credit card through the card reader. If the card reader is connected properly the jukebox screen will display a pop up window as shown in *Figure 7*.



Figure 7

Touch the Cancel button to close the window and cancel the credit transaction.

## 9. ATTRACT LOOP TO HIGHLIGHT CREDIT CARD ACCEPTANCE

When the Credit Card Reader is sensed by the Core Computer the attract loop may include clips that highlight credit card usage on the jukebox.

